

## VULCAN POSTS

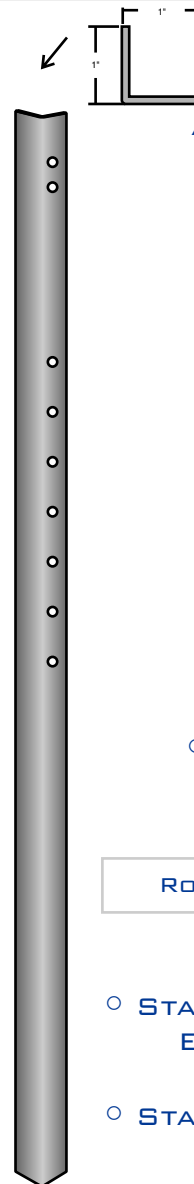
Vulcan offers a wide variety of posts to suit any need. From Round to Square Galvanized Steel Posts, to U-Channel or our unique Galvanized Steel Angle Post, we have the right post and hardware to tackle any mounting situation.

### PRODUCT DATA

#### GALVANIZED ANGLE POSTS



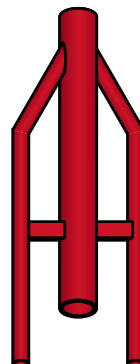
GALVANIZED ANGLE POST



- HOLES ARE 3/8" DIAMETER ON 1" CENTERS AND WILL ACCOMMODATE SIGN WITH HOLE PLACEMENT BETWEEN 5" TO 20" CENTERS
- MANUFACTURED IN-HOUSE FROM 11 GAUGE GALVANIZED STEEL
- ANY STANDARD POST DRIVER CAN BE USED
- LENGTH IS 6 FT.
- WEIGHT IS 4 LBS.
- TAPERED ENDS
- ECONOMIC ALTERNATIVE TO U-CHANNEL POST

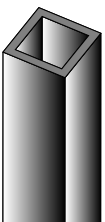
#### POST DRIVERS

LIGHTWEIGHT POST DRIVER	HANDY HANDLE HEAVY DUTY ONE MAN DRIVER
FOR DRIVING 1.12 LBS/FOOT POST WEIGHT- 21 LBS.	FOR DRIVING 2 LBS/FOOT POST WEIGHT- 38 LBS.



#### ROUND AND SQUARE STEEL POSTS

- ROUND  
STANDARD IS 10' AND 12' EACH IS 2 3/8" OD
- SQUARE  
STANDARD IS 10' AND 12' EACH IS 2" OD



MADE IN THE USA

## VULCAN POSTS

### PRODUCT DATA

#### U-CHANNEL POSTS



BLUE, YELLOW, ORANGE, GREEN AND GALVANIZED U-CHANNEL POSTS

MOUNTING HOLES- 3/8" DIAMETER ON 1" CENTERS, ENTIRE LENGTH

FINISH- GREEN PAINTED, HOT-DIPPED GALVANIZED OR POWDER COATED YELLOW, ORANGE, BLACK, BROWN OR WHITE

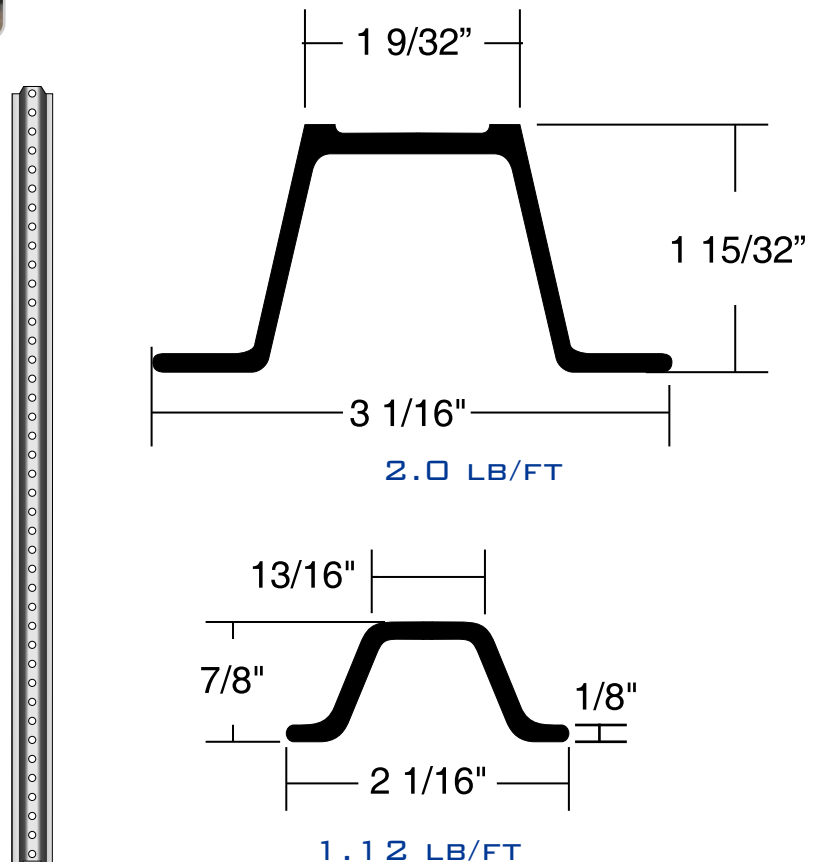
CUSTOM COLORS ALSO AVAILABLE

LENGTHS AND WEIGHTS- VARIOUS LENGTHS AND WEIGHTS ARE AVAILABLE

Vulcan's U-Channel sign posts can vary in length from 4 feet to 18 feet and from 1.12 pounds per foot to 4 pounds per foot in weight. In all cases 3/8 inch diameter holes are provided the entire length of the post on one inch centers.

Posts are made from new billet steel and boast 25% more tensile strength than competitor's rail steel.

Once the posts have been rolled, two types of coatings are available. One finish is polyester powder coating which is available in green, black, yellow, white, orange and brown (other colors by request). Galvanization is the second option which helps with corrosion protection. Posts are hot-dipped galvanized conforming to ASTM A-123.





# VULCAN POSTS

## TECHNICAL SPECIFICATIONS

### U-CHANNEL POSTS

### COMPARING SIGNPOSTS

	VULCAN POSTS	OTHER U-CHANNEL POSTS
INGREDIENTS	U.S. NEW-BILLET STEEL	FOREIGN RAIL STEEL
STEEL PROPERTIES	CONSISTENT AND STRONG	INCONSISTENT AND WEAK- 25% LESS TENSILE STRENGTH
SUPPORTS SIGNAGE ON BACK OF POST	YES	NO- SIGN WOBBLER ON A ROUNDED SURFACE
YIELD STRENGTH	80 - 100 KSI	60-80 KSI
ASTM REQUIREMENTS	EXCEEDS REQUIREMENTS	MEET REQUIREMENTS
POST NEEDED TO SUPPORT 30" STOP SIGN IN 70 MPH WINDS, 7' CLEAR HEIGHT	2.5 LB. SIGNPOST	3 LB. SIGNPOST

### POWDER SHELL

DESCRIPTION	SMOOTH, GLOSSY POLYESTER POWDER COAT
GLOSS	ASTM D523 75-85%
PENCIL HARDNESS	ASTM D3363 H-2H
FLEXIBILITY	ASTM D522 1/8 IN.
ADHESION	ASTM D3359 5B
DIRECT IMPACT	ASTM D2794 160 IN./LBS. @ 2.0 MILS
REVERSE IMPACT	ASTM D2794 160 IN./LBS. @ 2.0 MILS